

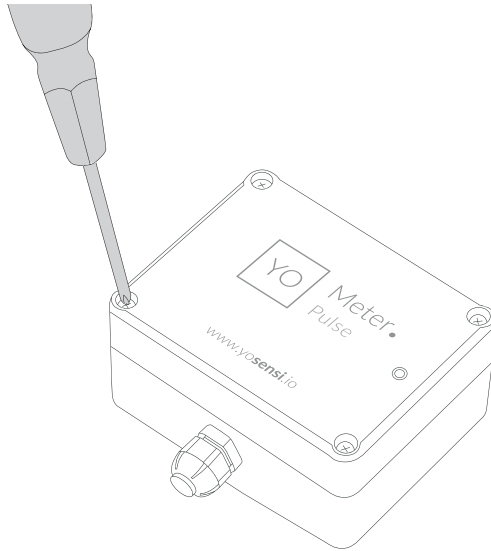


Meter.

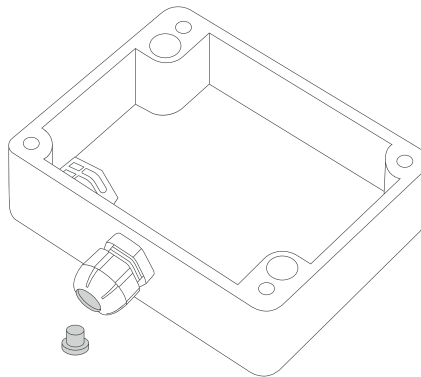
Pulse (Quick Installation Guide)

LoRa Alliance Member

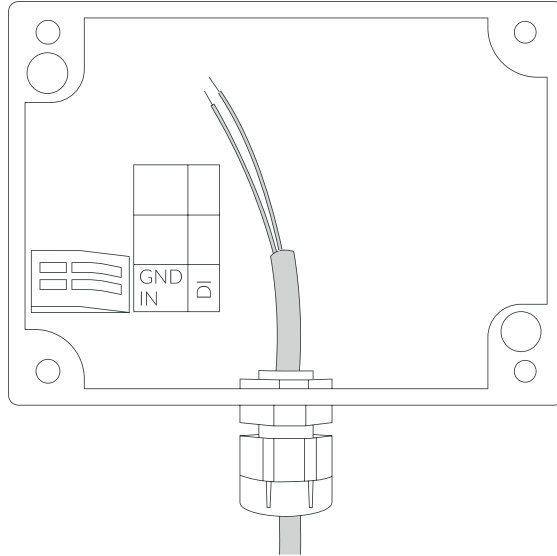
1. Unscrew the device: remove 4 screws from the enclosure.



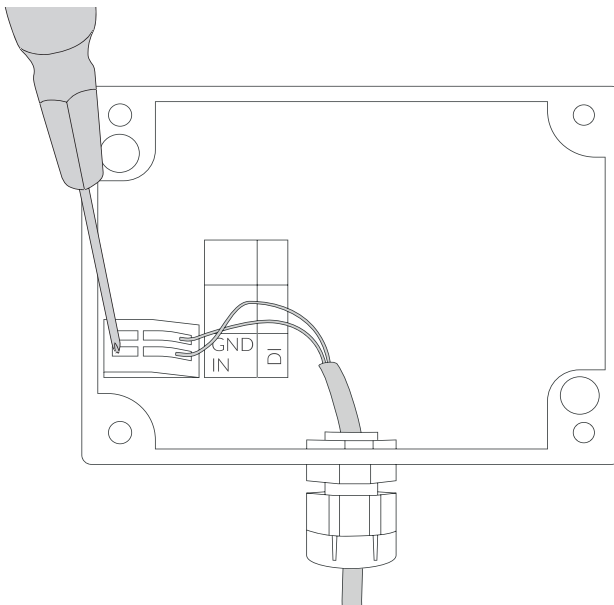
2. Unscrew the cable gland nut and remove the cap.



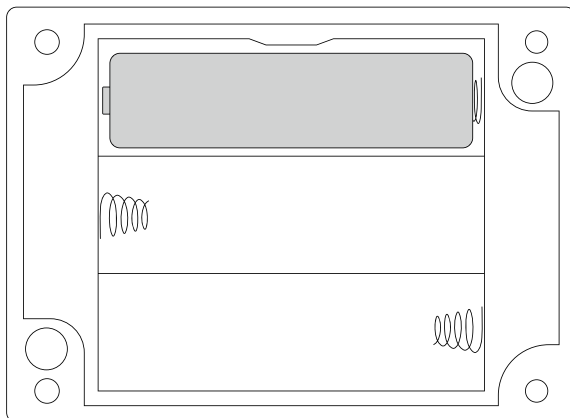
3. Pass the pulse counting cable through the cable gland.



4. Press the spring contact in the DI connector and insert the pulse counting cable. Tighten the cable gland nut to immobilize the sensor cable and maintain tightness.



5. Place three LR6 batteries in the device according to the polarity indicated on the battery holder.



6. Assemble the device and screw it back together.

7. YO Meter communicates its current behaviour to the user by one interface – RGBW LED placed on the top.

DIODE STATUSES INTERPRETATION

BEHAVIOUR	COLOUR	DEVICE STATUS
Single flash	Green	General: device is working correctly (power and memory).
Single flash	Red	General: device is working incorrectly (power and memory). LoRaWAN communication: failed to receive an acknowledgement from LoRaWAN Server within specified timeout.
Single flash	White	LoRaWAN communication: LoRaWAN frame sent \ confirmation from LoRaWAN Server after receiving the frame.
Slow flashing	Blue	BLE communication: connection to the device via BLE (configuration).
Rapid flashing	Blue	LoRaWAN communication: connecting to LoRaWAN network.

8. YO Meter is equipped with one reset button inside the device.