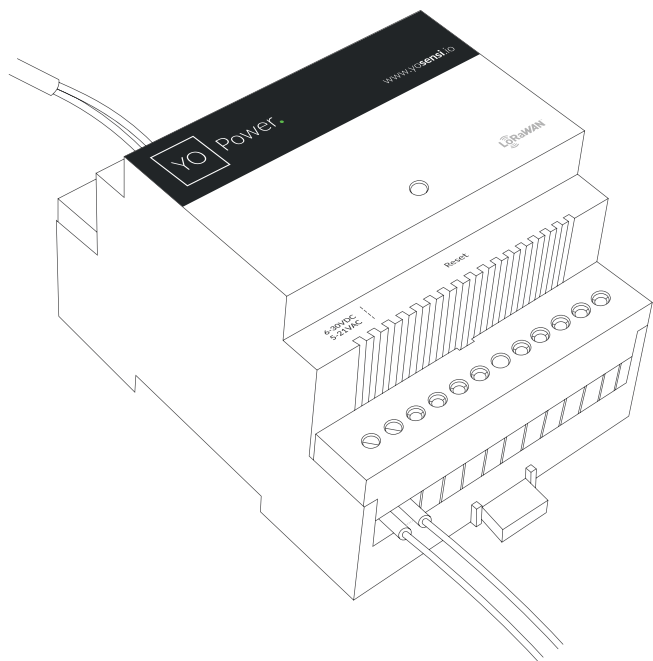


5. Statuses, colours and behaviour of the diode (if the device is properly connected):

- Device is working correctly (power and memory) - GREEN colour
- Device is working incorrectly (power and memory) - RED colour
- LoRaWAN frame sent - single WHITE flash
- Confirmation from server after receiving the frame - single WHITE flash
- Frame failed to confirm within specified timeout - single RED flash
- LoRaWAN Disconnected - flashing BLUE
- Connecting to BLE - flashing BLUE

In case of problems, the device can be reset with the “Reset” button.

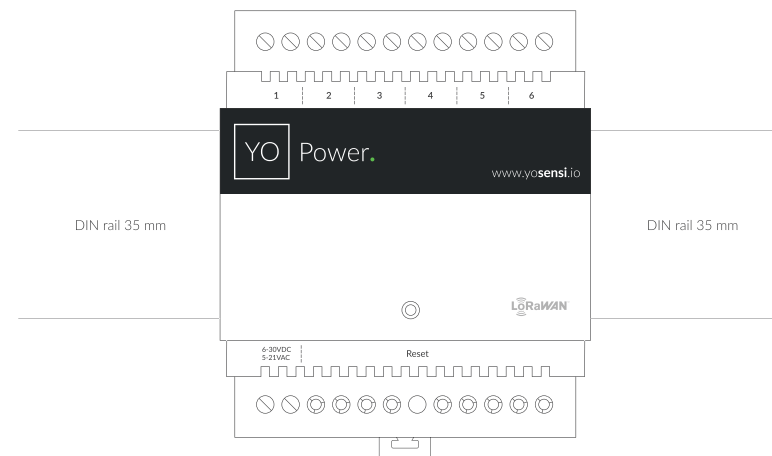


Power.

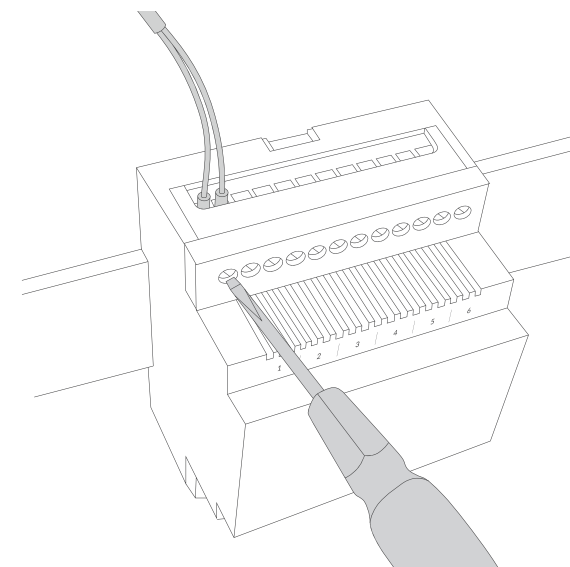
Quick Installation Guide

LoRa Alliance Member

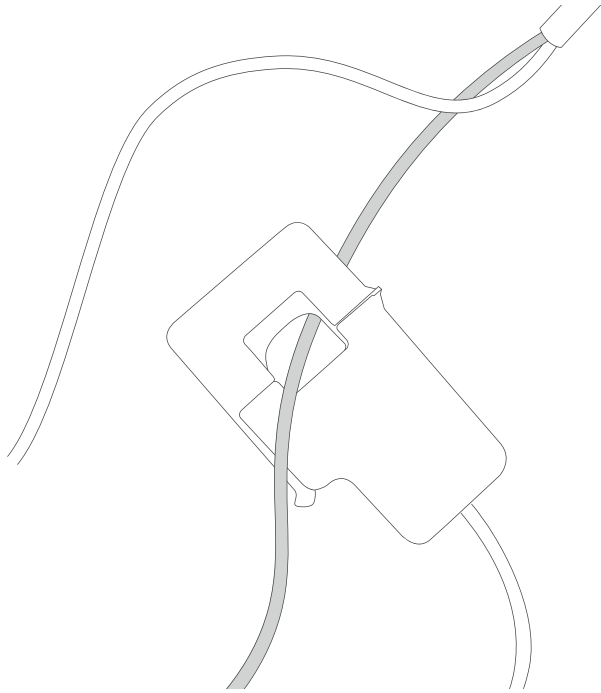
1. Mount the device on a 35 mm DIN rail.



2. Screw the current clamps to the individual inputs of the device.



3. Fasten the current clamps around the wires in which the current is to be measured (a clamp should be placed around one wire).



4. Screw the power supply wires to the device regardless of polarity (6 - 30 V DC, 5 - 21 V AC).

