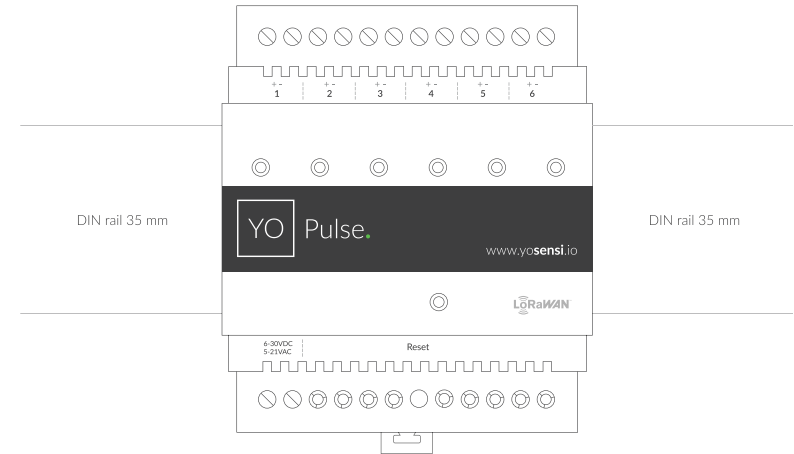
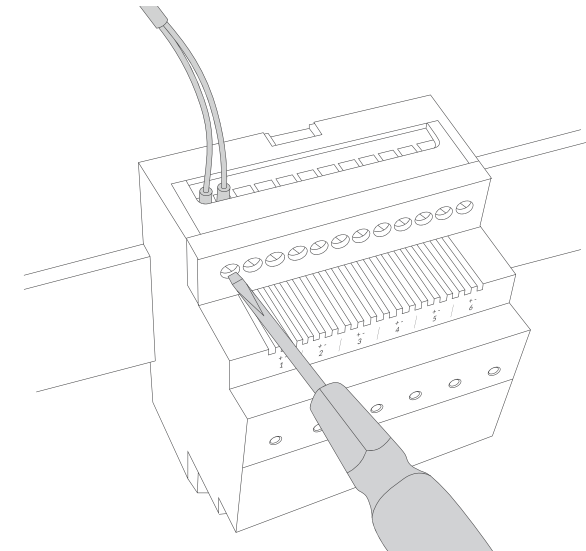




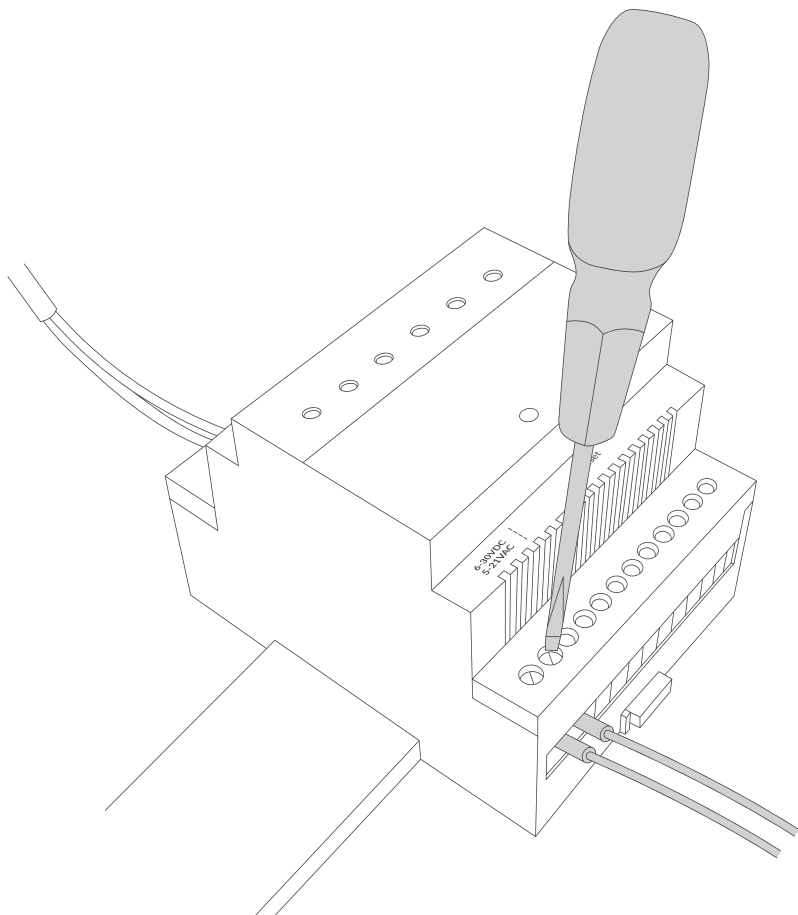
1. Mount the device on a 35 mm DIN rail.



2. Connect the inputs to the individual channels of the device according to the polarity shown on the enclosure label.



3. Screw the power supply wires to the device regardless of polarity (6 - 30 V DC, 5 - 21 V AC).



4. Statuses, colours and behaviour of the diodes:

**A.** LoRaWAN diode (if the device is properly connected):

- Device is working correctly (power and memory) - GREEN colour
- Device is working incorrectly (power and memory) - RED colour
- LoRaWAN frame sent - single WHITE flash
- Confirmation from server after receiving the frame - single WHITE flash
- Frame failed to confirm within specified timeout - single RED flash
- LoRaWAN Disconnected - flashing BLUE
- Connecting to BLE - flashing BLUE

In case of problems, the device can be reset with the "Reset" button.

**B.** 6x orange status LED indicates contact status.

