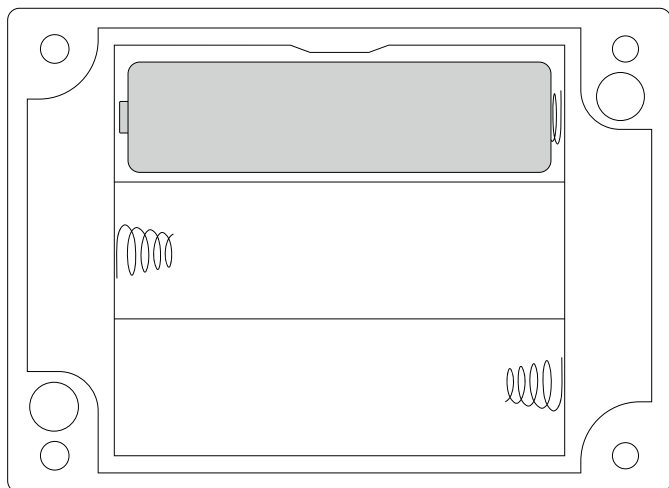


7. Place three AA batteries in the device.

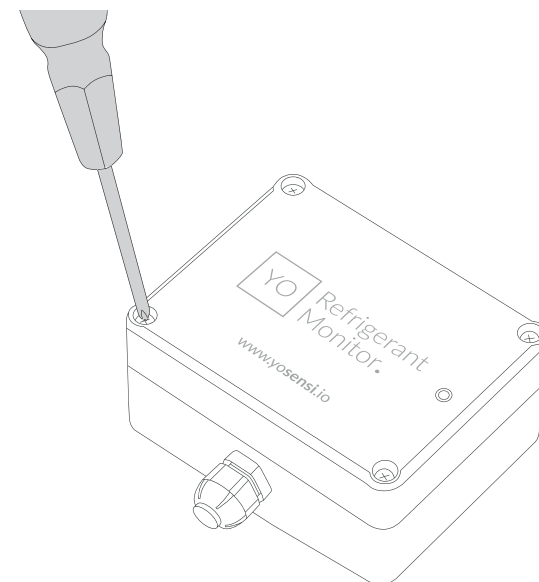


8. Assemble the device and screw it back together.

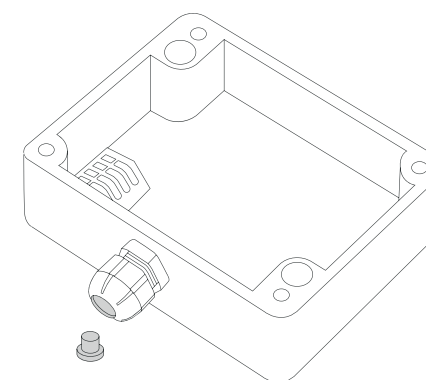
9. Status, colour and behaviour of the diode (if the device is properly connected):

- Device is working correctly (power and memory) - single GREEN flash
- Device is working incorrectly (power and memory) - single RED flash
- Connecting to LoRaWAN - flashing BLUE
- LoRaWAN frame sent - single WHITE flash
- Confirmation from the server after receiving the frame - single WHITE flash
- Frame failed to confirm within specified timeout - single RED flash
- LoRaWAN Disconnected - flashing BLUE
- Connecting to BLE - flashing BLUE

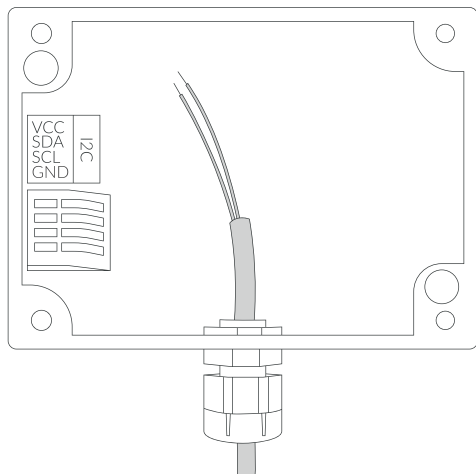
1. Unscrew the device: remove 4 screws from the enclosure.



2. Unscrew the cable gland and remove the cap.



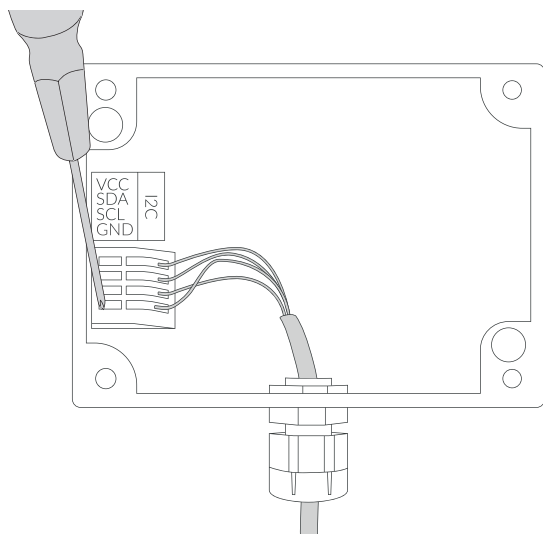
3. Pass the cable through the cable gland.



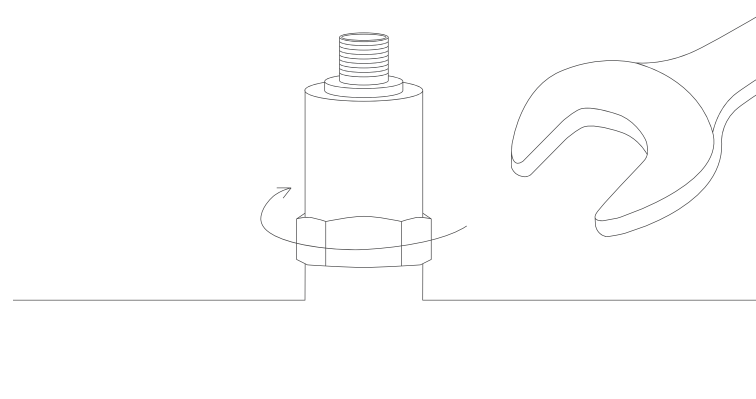
4. Press the spring contact and insert the appropriate wire into the corresponding slot in the connector:

VCC - brown wire      SDA - black wire  
SCL - white wire      GND - blue wire

Tighten the cable gland to immobilize the external sensor wires and maintain tightness.



5. Screw the sensor into the installation with a wrench (25 mm / 1").



6. Plug and screw the 4-pin electrical connector into the sensor.

